

EMAIL ORDERS: ORDERS@BAYSIDEFLASHING.COM.AU
 MOBILE ORDERS: 0400 840 640
 FAX ORDERS: 03 9587 4559
 ORDER QUERIES: 03 9580 5246
 PICK UP: 13-19 MALCOLM ROAD, BRAESIDE, VIC, 3195

Business name: _____

Date: ____ / ____ / ____

Contact name: _____

Order no: _____

Phone number: _____

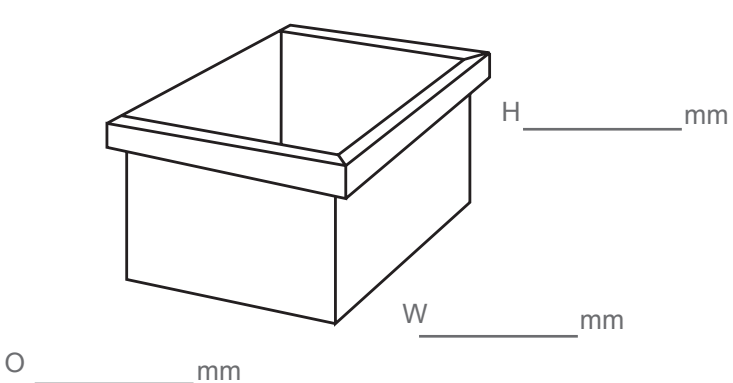
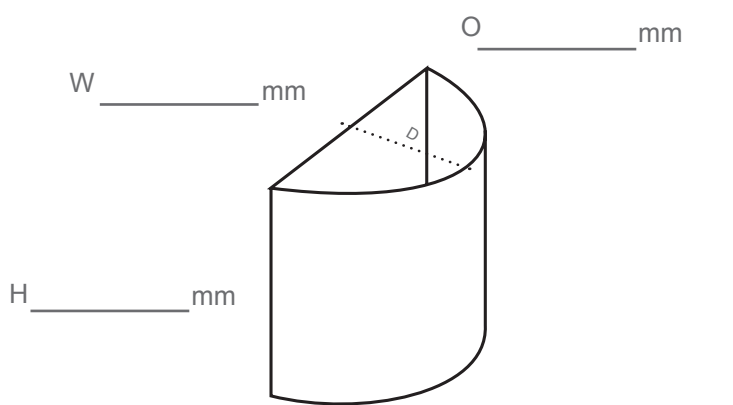
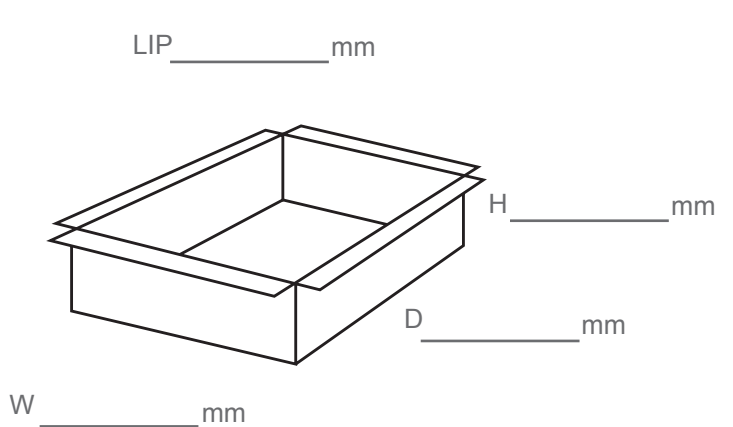
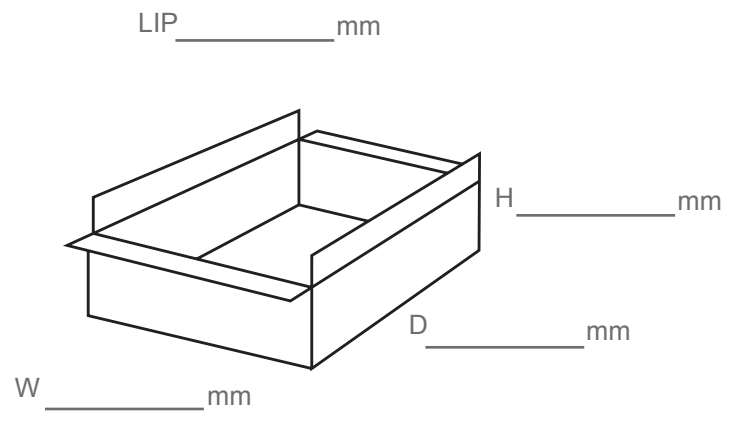
Pages: _____ of _____

Email: _____

Date required: _____

Pick up OR delivery address: _____

Time required: _____ am / pm

Material:	QTY:	Material:	QTY:
RAINHEAD  <p>O _____ mm W _____ mm H _____ mm</p> <p><i>"O" = off the wall</i></p>		HALF ROUND RAINHEAD  <p>W _____ mm H _____ mm O _____ mm D _____ mm</p> <p><i>"O" = off the wall</i></p>	
Material:	QTY:	Material:	QTY:
SUMP  <p>LIP _____ mm W _____ mm D _____ mm H _____ mm</p>		TRAY  <p>LIP _____ mm W _____ mm D _____ mm H _____ mm</p>	

DIMENSION CLEARLY. Unreadable drawings will not be accepted. Bayside Flashing & Ventilations Pty Ltd. reserves the right to request re-submission of unclear orders and will not be responsible for discrepancies and/or errors that occur from incorrect or illegible drawings. **Angles not otherwise stated, will be made at 90°.**